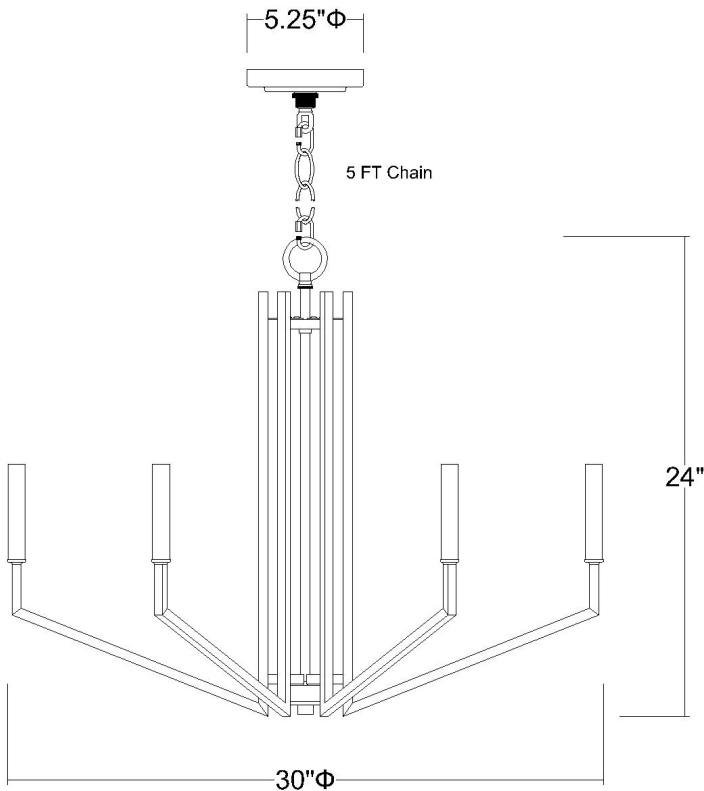


IN11430SN HARPER 6-LIGHT CHANDELIER



Description:	Harper 6-light chandelier
Finish:	Satin nickel
Dimensions:	30" D x 24" H
Bulbs:	6-60w candelabra, 120V
Installed Weight:	8.6 lbs.
Certification:	Dry location / c UL

Material:	Iron
Shades:	NA
Glass:	NA
Canopy Dimensions:	5-1/4" dia.
Chain/Wire:	5' chain, 12' wire
Additional Finishes:	NA